



Climbing Platforms

Skill Level: Advanced

To be successful with this project, you will need experience with a wide variety of specialized tools and it may take several days to finish. If you've built a deck this project may match your abilities. Consider hiring a contractor to help you with this project.

Description:

These climbing platforms are modular in design and can be expanded to fit any space, large or small. Each platform in **Photo 1** measures 5' x 5', with varied elevations. The hand-peeled ponderosa pine railings and posts add a rustic quality and safety element to the climbing space. Children can use the railings as anchors for fabric walls as they create temporary rooms. The platforms work beautifully built around a mature tree or a young tree can be planted to integrate with the climbing platforms.



Photo 1

Materials List:

Note: working drawings included in this package

ITEM NO.	Description	Material	all parts/QTY.
1	strong-tie LUC26Z	metal bracket	8
2	stringer 2 x 6 (1)	treated lumber or cedar	2
3	stringer 2 x 6 (2)	treated lumber or cedar	2
4	joist-2 x 6 (1)	treated lumber or cedar	3
5	decking 5 qrt x 6 (2)	treated lumber or cedar	9
6	decking 5 qrt x 6 (1)	treated lumber or cedar	2

A. Planning Tips:

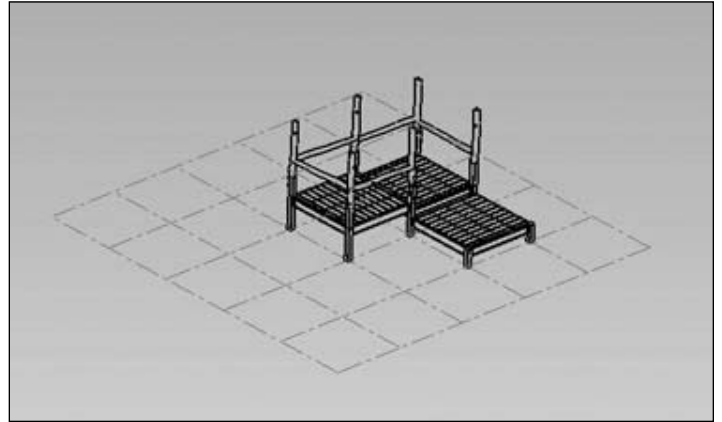
Planning is a crucial step in any construction project. A good plan serves as a reference throughout the project. Use the following suggestions to help with the planning process:

1. Determine where you want the climbing platforms. The grade or surface elevation may be a factor. Is there an existing tree that will become integral to the structure? Will a young tree be planted? What are the critical dimensions? (Length, width and height)
2. Use our working drawings to custom design your platforms. The platforms are modular. There can be as few as one platform and as many as your imagination and space permits. Remember to check with local building codes. Plans may need to be modified to fit code. In addition, special building permits may be required.
3. We suggest building platforms off-site using deck-building methods then transported to the location for installation. Use the bill of materials enclosed. Additional information on deck building can be found at your local home improvement or hardware store.

B. Laying out the climbing platforms:

1. The 4 x 4 posts that will connect the modular platforms can be laid out in a grid pattern (see Image A). The grid pattern is 5' x 5'. Also see working drawing for center-to-center dimensions for 4 x 4 posts. If the platforms are built previous to installation, it is important that the platforms have been constructed square. Also remember, the intersection of the grid pattern must match up with the platform dimensions before post digging begins.

Image A



C. Digging the posts:

1. Use posthole diggers or a power auger to dig the footing holes. It takes two people to handle a power auger, so if you choose this option, get a helper. (Note: you will need a 6" (or larger) auger bit for 4 x 4 posts.)
2. After the holes are dug, place the 4 x 4 posts into the holes. Depending on the design of your climbing structure cut the posts to the approximate length desired. When rustic poles are added, the 4 x 4 posts need to be longer. **See Photo 2.**
3. As with any building project it is important to install all components plumb and level.

D. Mounting the brackets:

1. Nail the mounting brackets to the 4 x 4 posts that will hold the platforms to the posts. **See Photo 3**

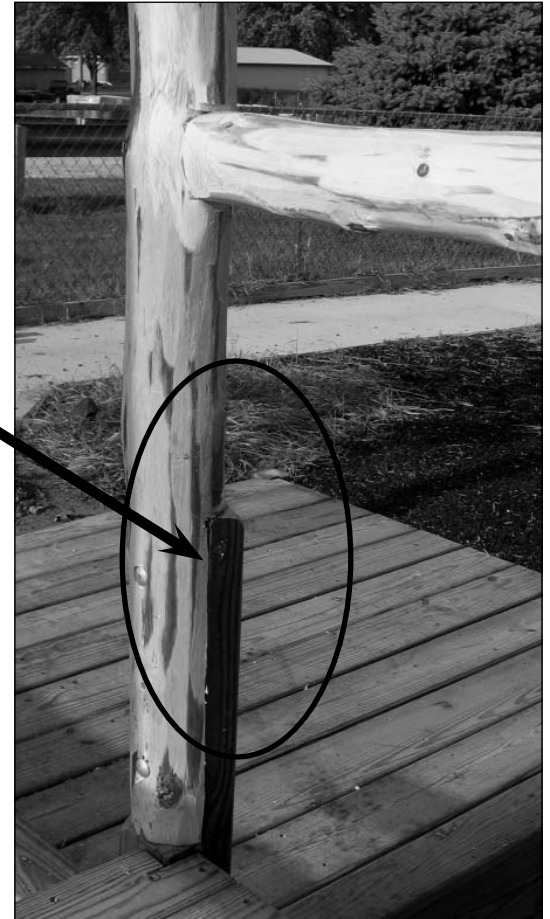


Photo 2



Photo 3

E. Inserting the platforms:

1. After the brackets have been nailed to the 4 x 4 posts, the platform(s) are placed into the brackets. Note: At this point, the platforms are NOT YET nailed to the brackets.
2. Clamps or tie-down belts can be used to tightly secure the posts in the corners of the platform(s). **See Photo 4 (next page).** The center of the holes should align with the 4 x 4 posts. Again, during this process, make sure that the 4 x 4 posts remain plumb. Using a level, transit, or laser level, the platforms will be leveled as well.



F. Pouring the concrete:

1. With the 4 x 4 posts plumb and level, you are now ready to pour the concrete directly into the holes (with the 4 x 4 posts).
2. Allow the concrete to set overnight.

G. Completing the project:

1. Remove the clamps or tie-down belts and finish nailing the brackets. To reach the brackets on the inside, a few decking boards will need to be temporarily removed (see Photo 4).
2. The 4 x 4 posts can be cut to length. Depending on the design intent, rustic poles can be attached to the 4 x 4 with carriage or lag bolts (see Photo 2) and rustic rails can also be added (see Photo 5).



Photo 4

H. Customizing your climbing platform

Multiple platforms can be installed over time (see working drawings). Be sure to plan for this however, and check with local building codes for acceptable height requirements.

Finally, using an existing tree or adding a young tree to the platform design and layout will be key to the beauty of the project.



Photo 5



A Collaborative Project of

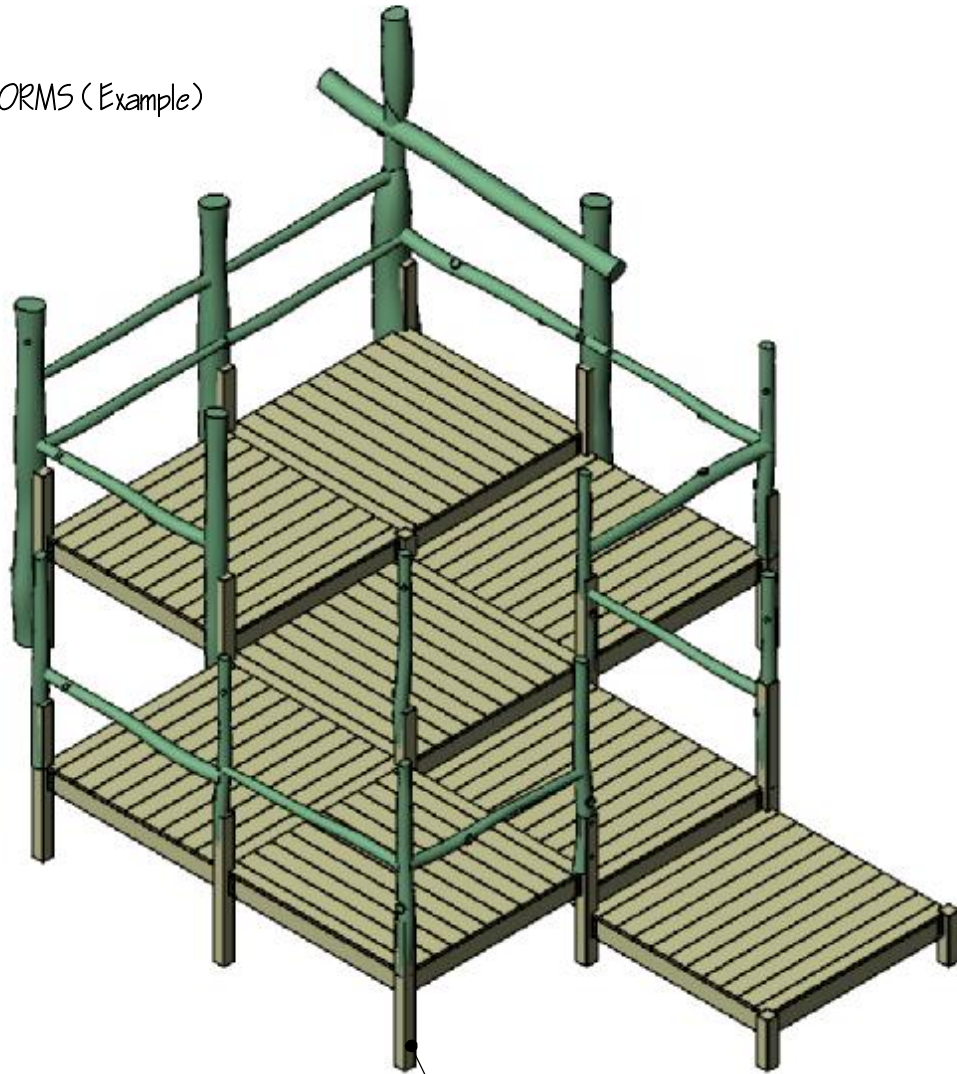
 **Arbor Day Foundation™**
arborday.org

 **DIMENSIONS®**
Educational Research Foundation
dimensionsfoundation.org

1-888-908-8733

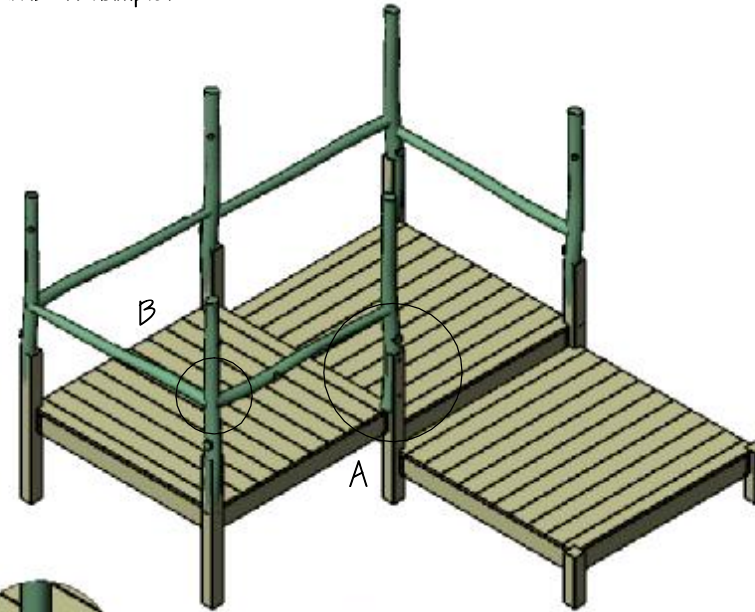
© 2007 Arbor Day Foundation.
All rights reserved.

8 PLATFORMS (Example)

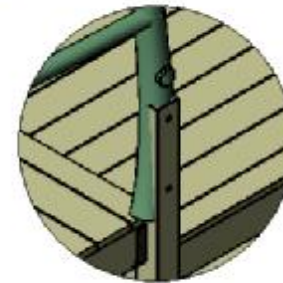


4" X 4" POSTS
CUT TO LENGTH AS NEEDED

3 PLATFORMS (Example)



DETAIL B
USE LAG BOLTS



DETAIL A
USE LAG OR CARRIAGE BOLTS
AS NEEDED



A Collaborative Project of



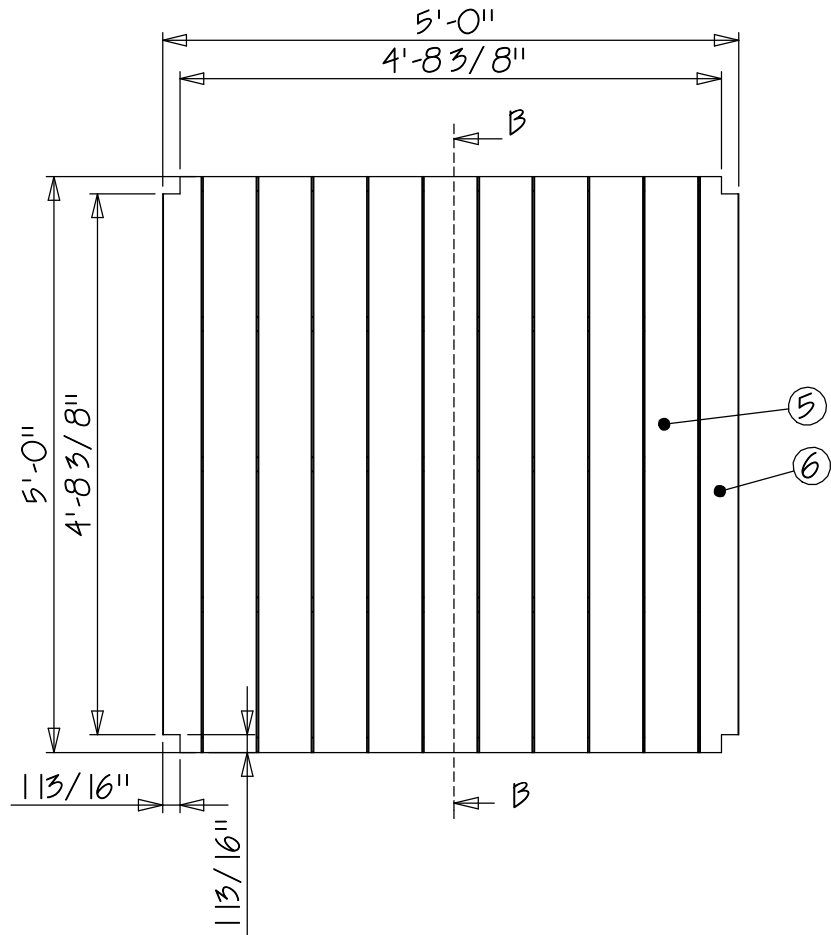
	NAME	DATE
DRAWN	JC	9-10-07
CHECKED		

COMMENTS:

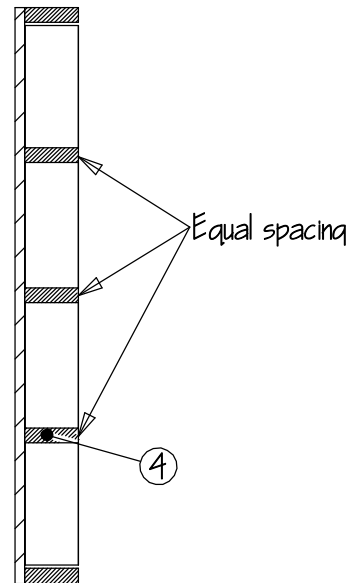
ALL INFORMATION CONTAINED IN THIS DOCUMENT IS PROPERTY OF ARBOR DAY FOUNDATION AND DIMENSIONS FOUNDATION AND MAY NOT BE REPRODUCED IN WHOLE OR PART WITHOUT PERMISSION. COPYRIGHT 2007

SIZE	DWG. NO.	REV.
SCALE: 1:180	WEIGHT:	SHEET 1 OF 2

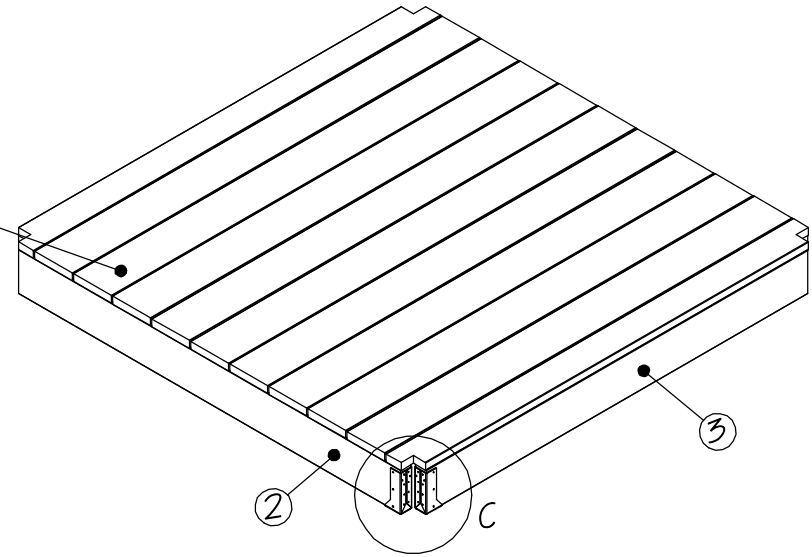
Modular platform



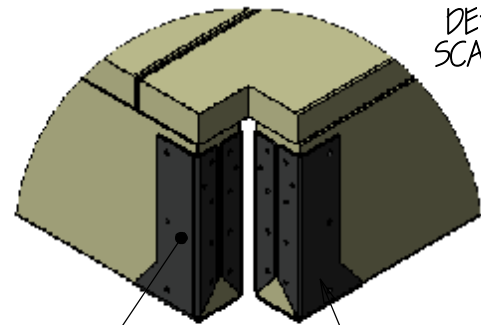
Decking fastened with #8 X 2 1/2" Screws 1/8" spacing between boards.



SECTION B-B



DETAIL C SCALE 1:5



Strong-tie brackets are nailed or screwed to 4" x 4" post first. (two used in each corner)

ITEM NO.	Description	Material	all parts/ QTY.
1	strong-tie LUC26Z	metal bracket	8
2	stringer 2 x 6 (1)	treated lumber or cedar	2
3	stringer 2 x 6 (2)	treated lumber or cedar	2
4	joist-2 x 6 (1)	treated lumber or cedar	3
5	decking 5 qrt x 6 (2)	treated lumber or cedar	9
6	decking 5 qrt x 6 (1)	treated lumber or cedar	2



A Collaborative Project of



	NAME	DATE
DRAWN	JC	9-10-07
CHECKED		
COMMENTS:		
ALL INFORMATION CONTAINED IN THIS DOCUMENT IS PROPERTY OF ARBOR DAY FOUNDATION AND DIMENSIONS FOUNDATION AND MAY NOT BE REPRODUCED IN WHOLE OR PART WITHOUT PERMISSION. COPYRIGHT 2007		

SCALE: 1:20	WEIGHT:	REV. A
SHEET 2 OF 2		