



## Raised Planter Bed

**#4269** - 16½”H x 2’W x 4’L

**#4271** - 22”H x 2’W x 4’L

**#4270** - 16½”H x 2’W x 6’L

**#4272** - 22”H x 2’W x 6’L



## Assembly Instructions

**Please open and inspect all items immediately upon receipt.**

If you have any questions or concerns regarding your order, please call the Nature Explore Support Line at 1-888-908-8733 or e-mail us at [service@natureexplore.org](mailto:service@natureexplore.org).

## **Raised Planter Bed**

**#4269** - 16½”H x 2’W x 4’L

**#4271** - 22”H x 2’W x 4’L

**#4270** - 16½”H x 2’W x 6’L

**#4272** - 22”H x 2’W x 6’L

Nature Explore Classroom resources are designed to bring children closer to nature and help them develop life-long learning skills. To ensure safety and effectiveness, please be sure to follow the instructions for installation, building codes, warnings, and maintenance. Failure to follow all of the instructions will void any warranty offer. Furthermore, even Nature Explore Classroom resources installed and maintained in accordance with the instructions can present hazards to children in the absence of adequate supervision.

Depending on the location and nature of the outdoor classroom, the supervisors may be paid professionals (full-time park or school/child care facility staff), paid seasonal workers (college or high school students), volunteers (PTA members), or the parents of the children playing in the outdoor classroom. The quality of the supervision depends on the quality of the supervisor’s knowledge of safe play behavior. Therefore, supervisors should understand the basics of safety in an outdoor classroom.

Outdoor classroom supervisors should be aware that not all equipment and items are appropriate for all children who may use the outdoor classroom. Posted signs or labels indicating the appropriate age of the users should be checked before play begins, and supervisors should direct children to equipment appropriate for their age. It is also very important to recognize that preschool-age children require more attentive supervision than older children do.

**Ages:** Recommended for all ages

### **Building Codes:**

Variations in building codes, specific local development covenants, or site conditions may require modification to the installation of the product. Outdoor classroom owners are ultimately responsible for complying with all applicable permits, building codes and other regulatory requirements, and should review their outdoor classroom with local building inspectors. All appropriate building permits should be obtained prior to starting installation.

### **Liability:**

Nature Explore shall have no liability or responsibility for actions or inaction in connection with any Nature Explore item or any damage or liability that arises during the construction and/or use. Always read and observe all safety precautions provided by the Consumer Product Safety Council regarding toy safety, playground safety, and any other applicable programs. Likewise, always read and observe all safety precautions provided by any tool or equipment manufacturer consulted during installation.

**Maintenance:**

Please be aware that the Raised Planter Beds are made of untreated wood and will endure the natural process of ‘checking’ or cracking as they age and adjust to your local climate. This is **not** a defect in the product, but a natural process that should be expected.

General Maintenance - Performed every few months. This maintenance will help reduce injuries and extend the life of your Raised Planter Bed.

- Sand to remove any splinters

Bi-annual maintenance - Performed every other year.

- Protect wood with wood protector like tung or linseed oil. Check with local building codes, playground experts, and wood preservation experts for the local rules and regulations and to ask what would be best to use around children.

**Inspection:**

Inspect the Raised Planter Beds often.

- Inspect to make sure table is stable on the ground
- No large structurally damaging cracks have started
- Make sure surfaces are smooth and splinter free

**Important Information:**

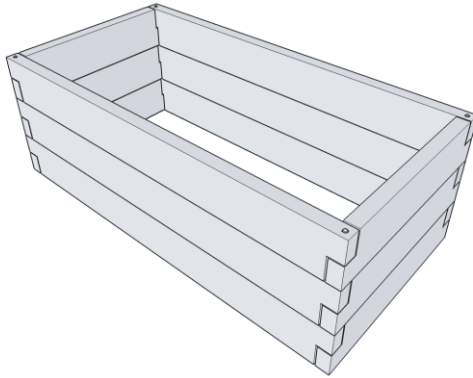
**Raised Planter Beds are NOT water-tight or weather-proof. You may want to treat with a commercial (nontoxic, oil-based) water-seal or stain to extend the useful life of the unit.**



**CAUTION: When using volunteer labor, make sure that the person assembling the Discovery Table has the necessary skill level.**

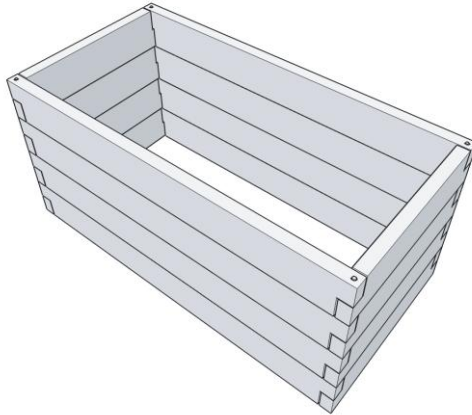
# Raised Planter Bed Assembly Instructions

(photos are for illustration purposes only, items you receive may be slightly different than those pictured)



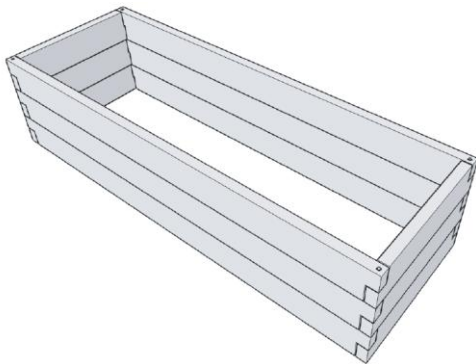
**#4269** - 16½”H x 2’W x 4’L

Parts List:	Capacity
6 - 4’ Boards	.38 Cubic Yards
6 - 2’ Boards	
4 - 16.5” Pins	



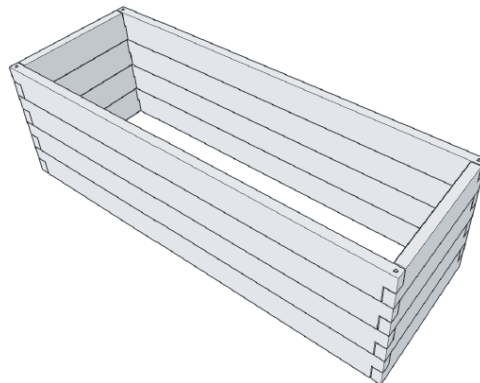
**#4271** - 22”H x 2’W x 4’L

Parts List:	Capacity
8 - 4’ Boards	.52 Cubic Yards
8 - 2’ Boards	
4 - 22” Pins	



**#4270** - 16½”H x 2’W x 6’L

Parts List:	Capacity
6 - 6’ Boards	.57 Cubic Yards
6 - 2’ Boards	
4 - 16.5” Pins	



**#4272** - 22”H x 2’W x 6’L

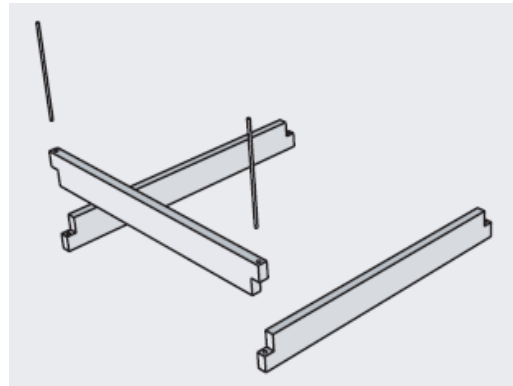
Parts List:	Capacity
8 - 6’ Boards	.78 Cubic Yards
8 - 2’ Boards	
4 - 22” Pins	

## Assembly Instructions:

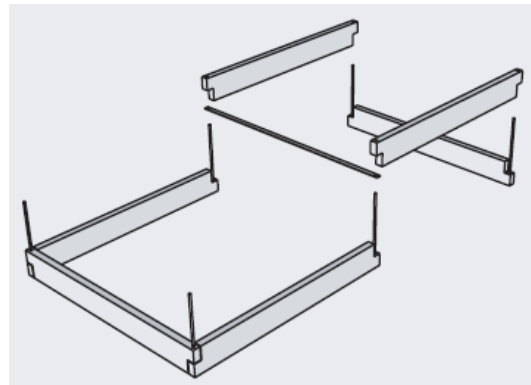
**Step 1:** Carefully unpack and inspect the contents of all cartons and make sure all parts are there. If any parts are missing or damaged, contact Nature Explore immediately at 1-888-908-8733 or [service@natureexplore.org](mailto:service@natureexplore.org).

**Step 2:** Thoroughly read and review all instructions before you begin.

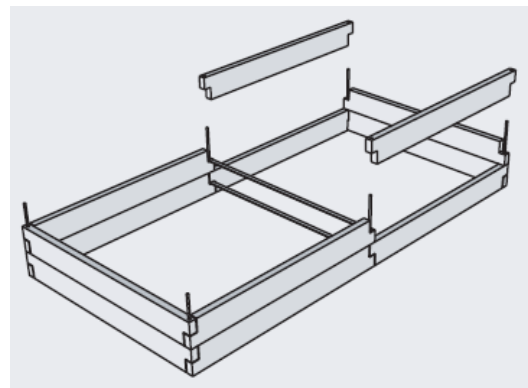
**Step 3:** Level the ground and position the boards so the notched ends overlap and the 3/8" holes line up. Start at one end and work your way around the bed, inserting the metal pins into the holes to lock the boards together.



**Step 4:** Raised beds 8' and longer include crossbar supports to prevent the sides from bowing. Fit crossbars over pins between board sections.



**Step 4:** Stack the remaining boards to build the height of the planter. Pins may be staked flush, or left exposed for use with shade cloth or greenhouse coverings.

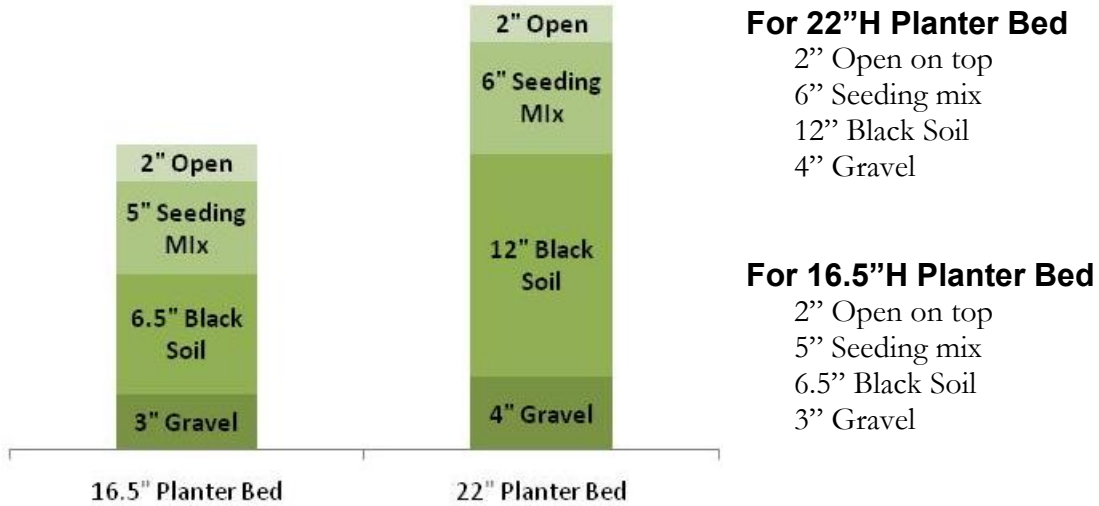


**. Your Raised Planter Bed is now complete and ready for use.**

## Planter Bed Fill

To set up raised beds on nonabsorbent surfaces, like concrete or heavily compacted dirt, you need to provide a way for water to escape from the bottom of the planter—or drainage can become a real problem. One solution is to setup your raised beds on 1"-3" of loose gravel, so that water can flow out the bottom and sides of the bed. Putting down an additional 2"-3" of rock inside of the bed will further improve drainage.

We recommend the following layers/mix of materials to give you adequate drainage and allow for maximum growth of the plants.



	#4269 16½”H x 2”W x 4”L		#4270 16½”H x 2”W x 6”L		#4271 22”H x 2”W x 4”L		#4272 22”H x 2”W x 6”L	
	Depth	Cubic Yards	Depth	Cubic Yards	Depth	Cubic Yards	Depth	Cubic Yards
Seeding Mix	5”	.12346	5”	.18519	6”	.14815	6”	.22222
Black Top Soil	6.5”	.16049	6.5”	.24074	13”	.32099	13”	.32099
Gravel	3”	.07407	3”	.11111	4”	.09877	4”	.14815

Depending on the size of Planter Bed you have, it will cost you approx. \$60-\$120 to fill.

## Helpful Tips and Information

- **Apply stain, or leave unfinished**

Raised beds are made from untreated Port Orford cedar—the strongest of all cedars—**rot resistant wood** that will last 30 or more years under normal conditions. If applying stain, a **nontoxic, oil-based finish** is recommended.

- **Level ground to ease assembly**

Level ground to ease assembly and promote even watering. Protruding rocks, roots, etc. or **gaps beneath** boards may result in misshapen beds. Fill in gaps with rock and soil.

- **Greenhouse or shade cloth covering**

For a simple greenhouse or shade cloth covering, **cut flexible pipe** (e.g. ½" PVC) into equal length pieces that—bent to fit over the ends of the pins—form half-circles of appropriate height. **Attach pipes over pins** the length of the bed and **cover the structure** with your choice of material (there are many options, ask your local garden center for advice). Alternatively, to **set pins flush** with the top of the planter, a hammer (or nearby rock) may be needed.



- **For beds on lawn, smother grass with cardboard**

To set up raised beds on lawn, put down a layer of **cardboard or thick newspaper** and assemble the planter on top of this surface. The paper acts as a **barrier against weeds and grasses**, and will eventually break down, allowing roots to penetrate the native soil.

- **Provide drainage on patios, driveways, etc.**

To set up raised beds on **nonabsorbent surfaces**, like concrete or heavily compacted dirt (e.g. driveways) add **1-3 inches of loose gravel**, or similar material, to the bottom of the planter before filling it with soil. The deeper the bed, the more gravel necessary for **healthy drainage**.

- **Keep gophers out with hardware cloth**

To keep out gophers, assemble raised beds on ½" **hardware cloth**. Use wire cutters to **trim the edges** so they wrap an inch or two around the sides of the planter and **secure in place** with nails or staples.

- **Add height/depth with additional bed layers**

The height of raised beds can be increased with **additional 5.5" layers**. Assemble new layers on top of old and **stake pins to hold in place**.

Bed height	# of layers
5.5"	1
11"	2
16.5"	3
22"	4
27.5"	5
33"	6

Please call 1-888-908-8733 for more information on additional sizes, etc.